



# Radio Frequency 25

Model: RFI-25



25 dB Shielding  
Radio Frequency

ADA  
COMPLIANT

FIRE RATED  
UP TO 1½ HOURS

1¾" THICK  
DOOR PANEL

Krieger's custom-engineered radio frequency door provides 25 dB protection in a typical 1¾" thick door panel. Its innovative, adjustable design and unique Monel wire mesh seal make it an ideal choice for installations where radio frequency shielding is required.

## Complete Assembly

This radio frequency (RF) assembly is designed to tie into any type of construction to ensure a true Faraday shield. Available in standard or custom sizes with manual or power-operated controls and other options.

Krieger doors are delivered as complete assemblies guaranteed to perform according to your specifications.

- Door Panel
- Hinges
- Threshold
- Frame
- Seal System
- Glass (if appl.)

## Premier Custom Finishes

Select the custom finish to perfectly match and complement your project.



Prime Painted



Wood Veneer



Stainless Steel



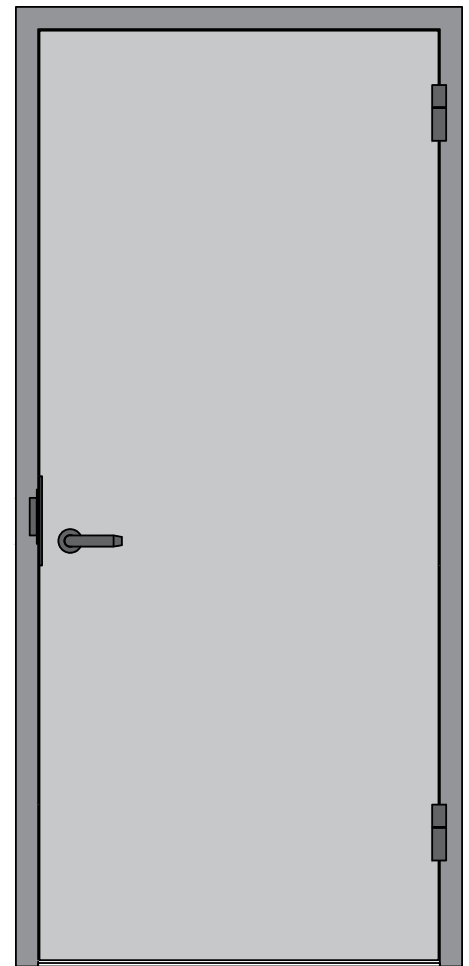
Historic Designs



Moldings & More



All Krieger doors are backed by our 10 Year Manufacturer's Guarantee.



Rev. 041524

## Customize Your Assembly

Contact your Krieger sales representative to discuss your project requirements, get a quote, and request full test report data.

Call us at 562-695-0645 or visit [KriegerProducts.com](http://KriegerProducts.com) to get started.



# Radio Frequency 25

Model: RFI-25

## Features

### Tests and Certifications

- Provides 25 dB RF protection in the electric field, planewave, and microwave fields in the frequency range of 1 KHz to 18 GHz.
- Certified for use in installations where TEMPEST standards are required.
- **Radio frequency:** IEEE-299-2006 Standard, NSA 65-6, MIL STD-285, and Division 8 Standard

### Door and Frame Construction

- Innovative slip-in frame design makes it easy to install, saving time on the job site.
- Features standard 1¾" thick door panel and can meet all specifications for size, finish, and performance; contact us to customize your assembly.
- Unique seal system includes Krieger's Monel wire mesh perimeter seal for superior durability over finger stock gaskets, and an adjustable door bottom for a tight seal even on uneven floors.
- Complies with ADA requirements with a ¼" stainless steel threshold that can be used in any location.

### Door Sizes

- RF doors are available in standard and custom sizes, including oversized doors.

### Fire Labels and Positive Pressure

- Up to 1½ Hours: UL 10C, UBC 7-2, UBC 7-4 450° and 650° temperature rise, up to 1½ hours UL 10C
- Smoke Labels: Up to 20 minutes

### Hardware

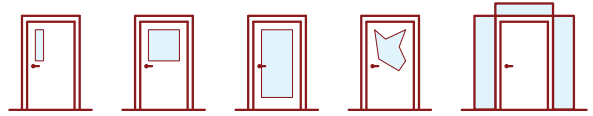
- Krieger's unique Cam Lift Hinge offers enhanced radial strength for longer lasting performance and easy maintenance; available in standard or electrified models.
- Designed to interface with standard builder's hardware, including latches and locksets, panic devices, security hardware, and other options.

### Finishes

- Krieger's custom finish options include prime painted, wood veneer, stainless steel, specialty finishes, and more—all perfectly matched to complement your project.

## Vision Lites • Side Lites • Transoms

Fully customizable vision lites, side lites, and transoms are available. Krieger offers tested and certified glass options, including acoustical glass, fire rated glass, smart glass, clear glass, optical white glass, low-emissivity (low-e) glass, and more.



## Door Handing

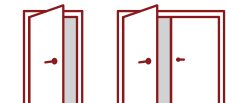
Krieger doors are available in any door handing configuration your project requires.



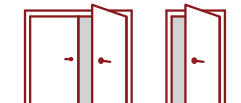
Left Hand  
(LH)



Right Hand  
(RH)



Left Hand Reverse  
(LHR)



Right Hand Reverse  
(RHR)

## Optional Add-Ons

### Specialized Hybrid Performance

Krieger's RF doors can be configured with optional add-on features and different ratings to meet your specific performance needs.

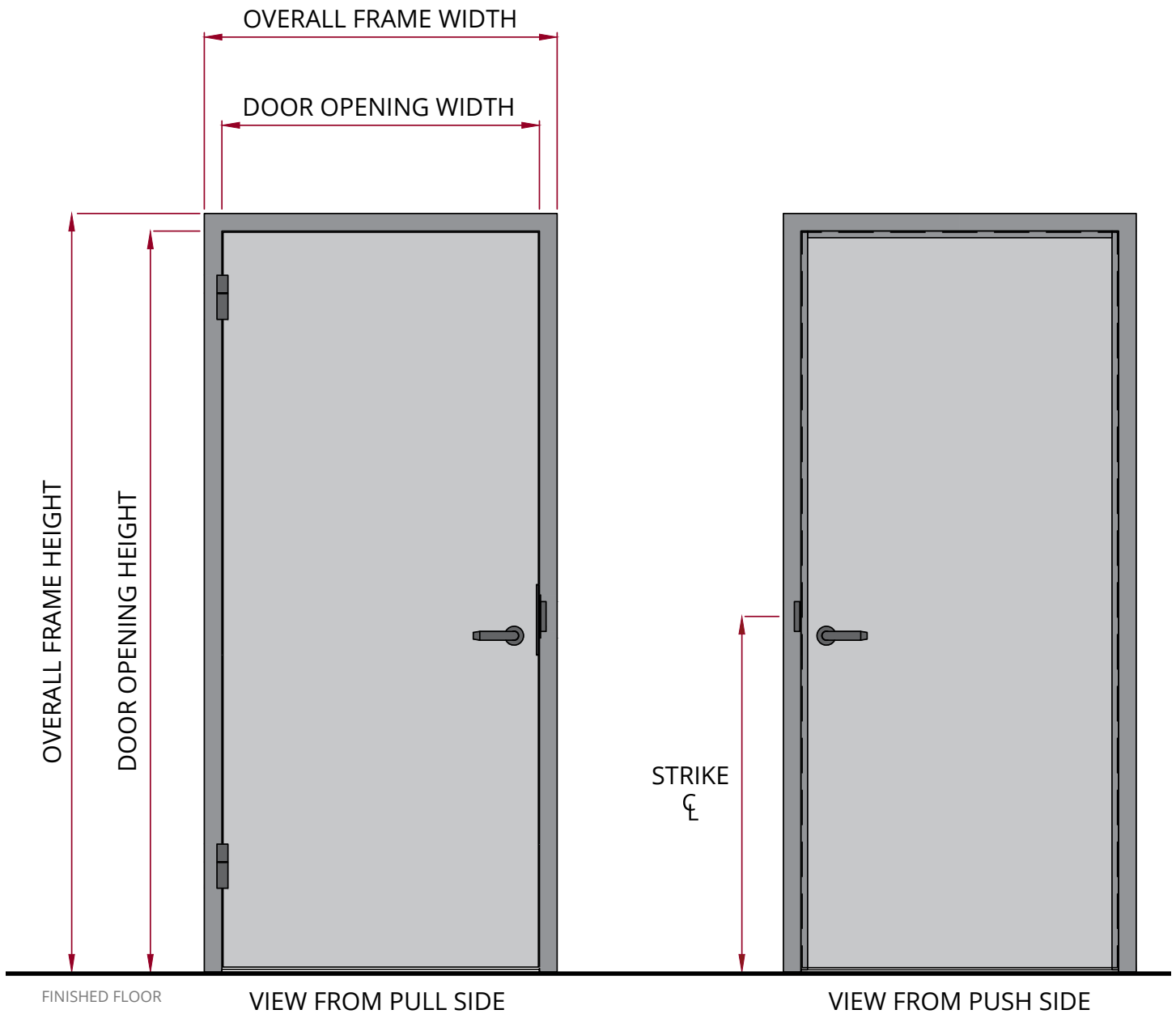
- **Acoustical & SCIF**  
Add up to an STC 55 rating and SCIF Sound Groups 3 and 4.
- **Bullet & Forced Entry**  
UL 752 Levels 1-10, NIJ, and MIL-SAMIT Part 1 & Part 2.
- **Blast & Pressure**  
UFC 4-010-01 and UFC 3-340-02 certifications are available.
- **Tornado & Hurricane**  
Can comply with FEMA P-361 or FEMA P-320 criteria.

Rev. 041524

# Radio Frequency 25

Model: RFI-25

## Elevation View

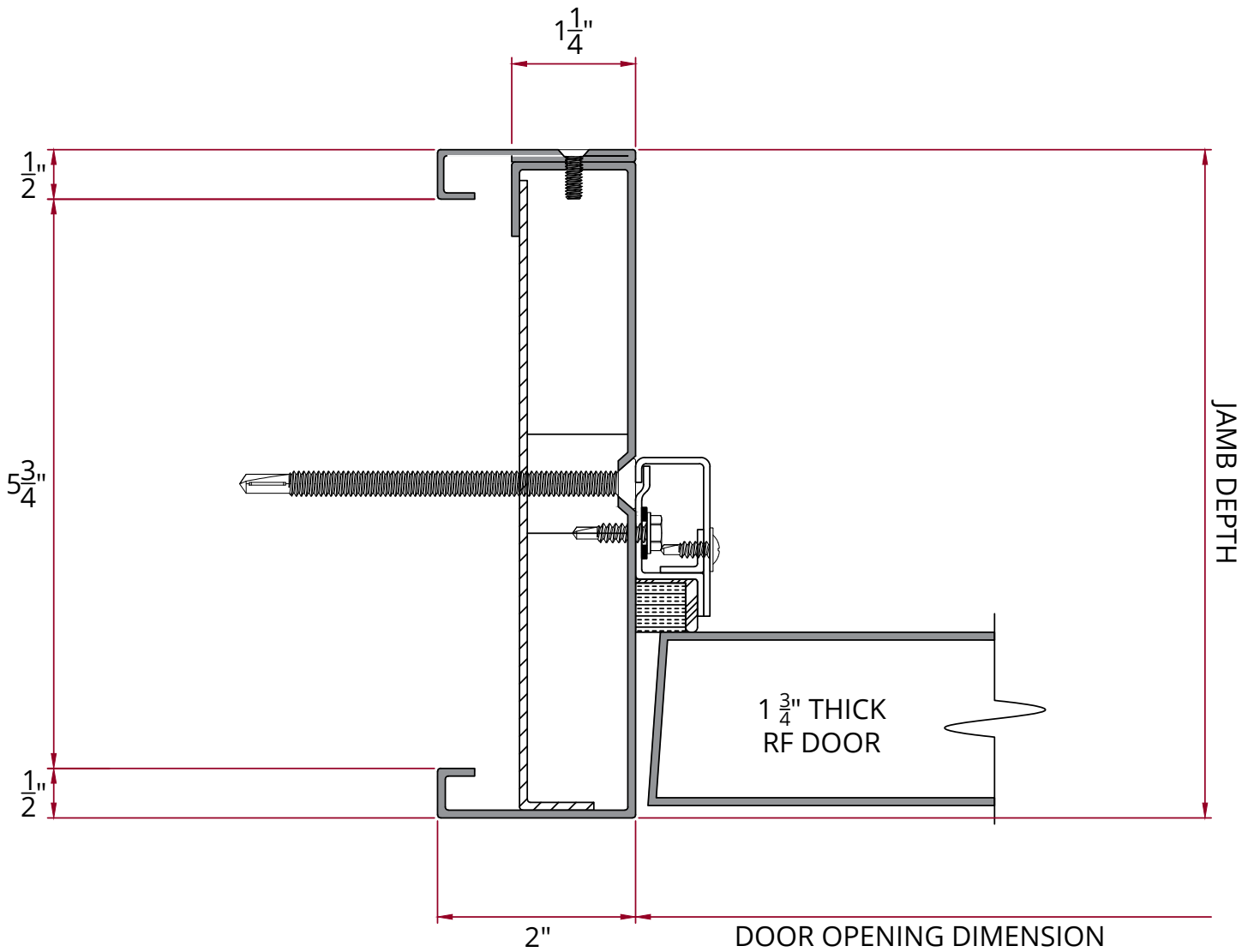


Rev. 041524

# Radio Frequency 25

Model: RFI-25

## Frame Detail

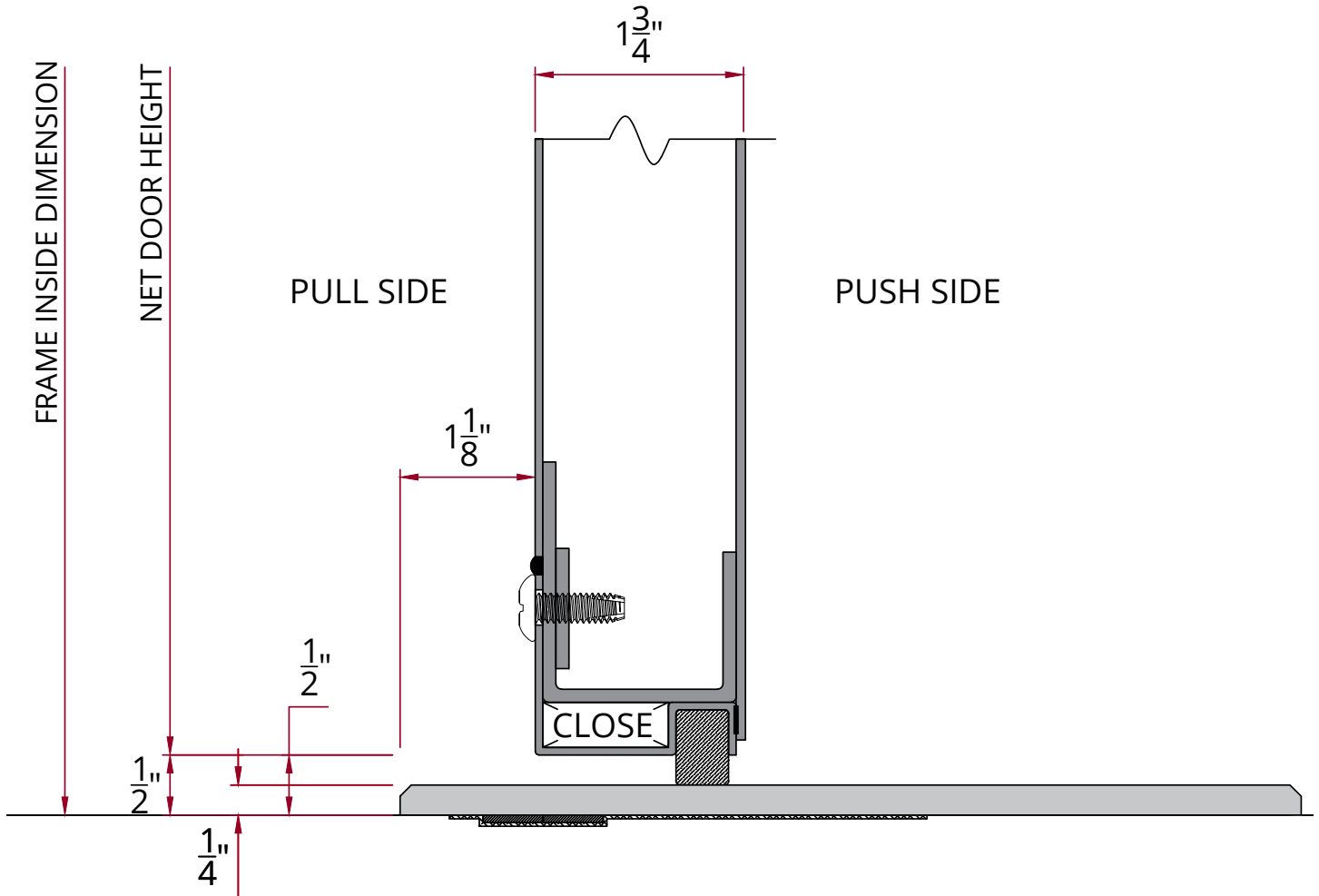


Rev. 041524

# Radio Frequency 25

Model: RFI-25

## Door Bottom



Rev. 041524