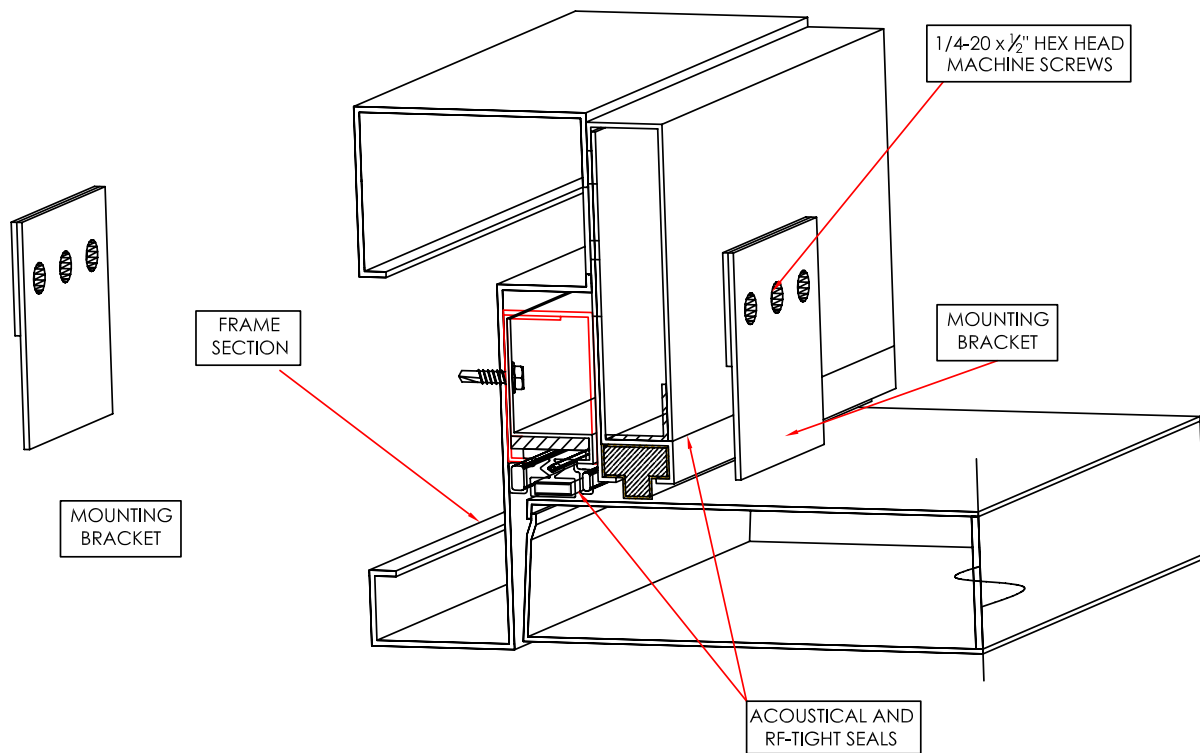


SURFACE MOUNTED HARDWARE

One of the key elements of any RF-Tight or Acoustical Door is the Seal Assembly. It is extremely important that the seals are protected from penetration or damage to insure they perform properly.

No hardware should be mounted directly on the seal retainer. We have provided heavy gauge mounting brackets & fasteners as shown below for installing stop mounted hardware. These brackets are designed to be mounted on the RF Seal Retainer opposite the door. They should be located and installed at the same time the combination lock or parallel arm closer is installed.

When installing these doors the proper sequence would be: (1) hang the door on hinges provided, (2) install primary latching device so the door stays closed, (3) adjust the magnetic sound seal then the RF mesh gasket, (4) install the bracket for mounting surface hardware. For best results this bracket should be applied after the doors are hung and all seals are adjusted. IF you have any questions please contact the factory.



SPECIAL BRACKET FOR MOUNTING COMBINATION LOCK STRIKE OR PARALLEL ARM CLOSER SHOE