



What to Know Before Getting Started

1. Krieger slider windows may need to be adjusted upon installation.
2. Every slider assembly comes with a set of high-capacity ball transfer units on the top and bottom of the slider portion.
3. The ball transfer units must sit within the built-in guides in the window frame to operate smoothly and effectively.



We're Here to Help

At Krieger, we understand every project is unique. If after reviewing this guide, you have any questions or concerns about installing, adjusting, or maintaining your Krieger product, our engineering department is here to help.

Please call us directly at **562-695-0645** or reach out to your regional sales representative.

Visit [kriegerproducts.com/contact/](https://www.kriegerproducts.com/contact/) for more information.



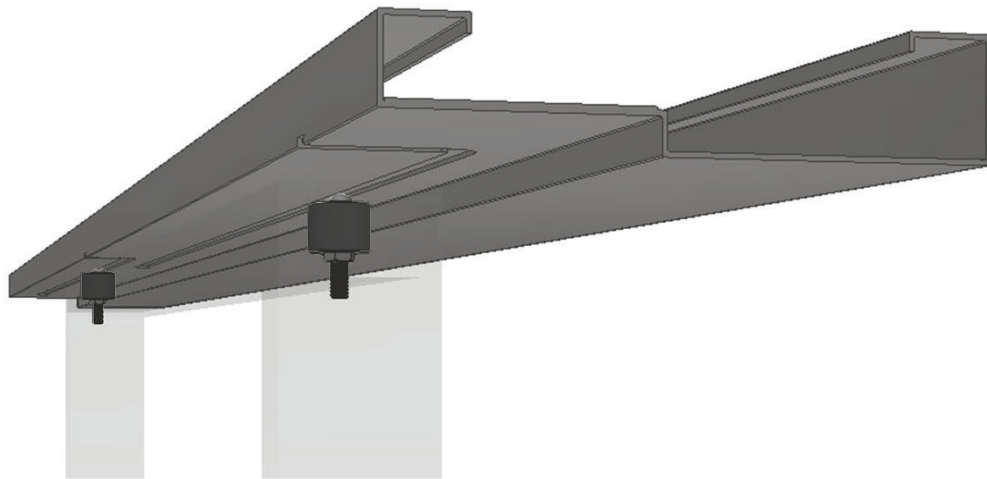
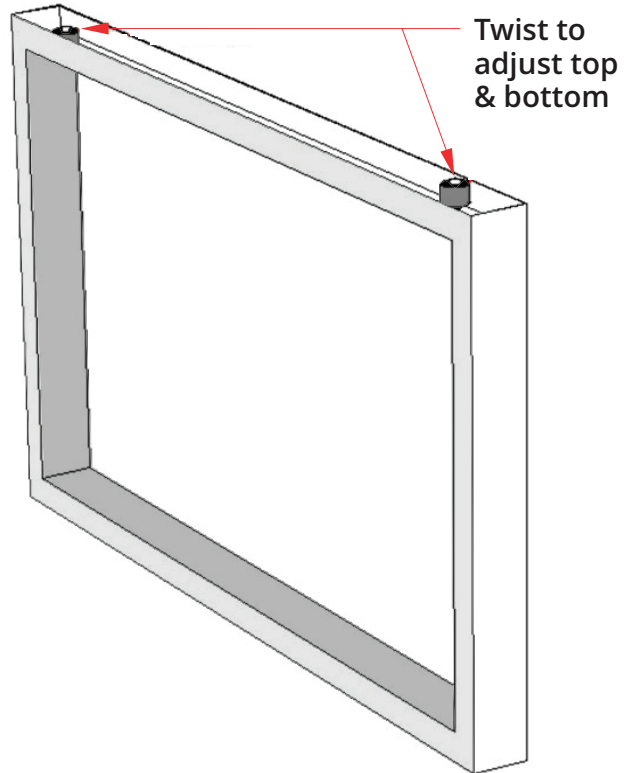
Made in the USA

All Krieger products are proudly designed and manufactured in the United States.

Adjustment Instructions

STEP 1

To adjust the transfer units, simply rotate to move them up and down until all four units can sit securely inside the frame guides.



End Instructions