



What to Know Before Getting Started

WARNING REGARDING INSTALLATION OF EPT

- Due to the lifting action of our Cam Lift door assembly the Von Duprin EPT must be installed as shown below. If installed incorrectly the EPT will be severely damaged and need to be replaced.



We're Here to Help

At Krieger, we understand every project is unique. If after reviewing this guide, you have any questions or concerns about installing, adjusting, or maintaining your Krieger product, our engineering department is here to help.

Please call us directly at **562-695-0645** or reach out to your regional sales representative.

Visit [kriegerproducts.com/contact/](https://www.kriegerproducts.com/contact/) for more information.

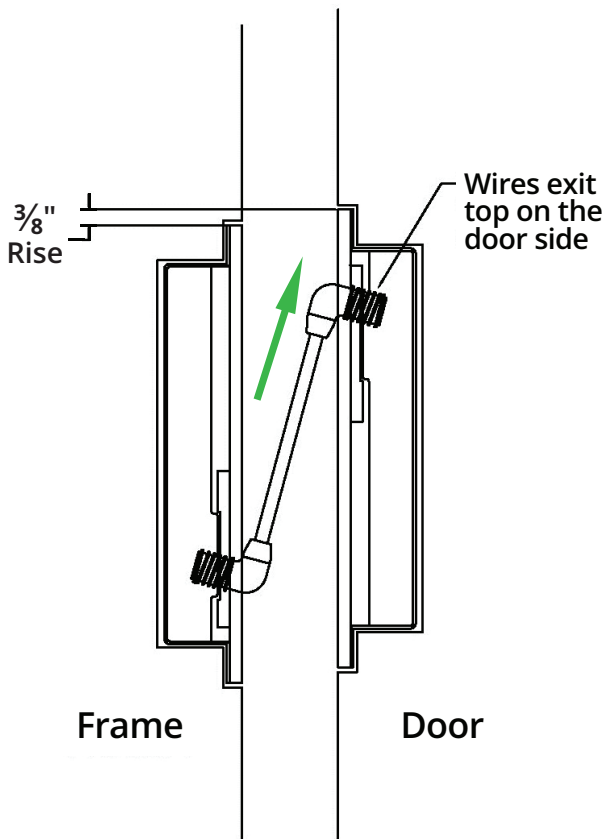


Made in the USA

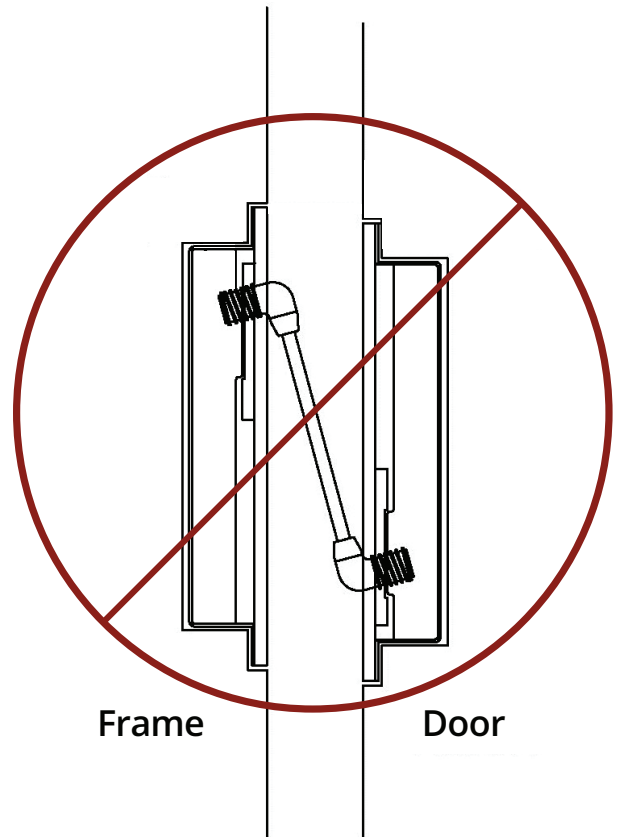
All Krieger products are proudly designed and manufactured in the United States.

Installation Instructions

Be sure to install the EPT with the wires exiting the top on the door side as shown in the illustration. This will allow the upward movement when the Cam Lift door swings open.



Correct



Incorrect

End Instructions