



What to Know Before Getting Started

- 1. NOTE: This installation guide is for 3" thick acoustical doors with the NC12 neoprene seal system.**
- 2. WARNING: NEVER MOUNT ANY HARDWARE ON THE SOUND SEAL CAPS!**



We're Here to Help

At Krieger, we understand every project is unique. If after reviewing this guide, you have any questions or concerns about installing, adjusting, or maintaining your Krieger product, our engineering department is here to help.

Please call us directly at **562-695-0645** or reach out to your regional sales representative.

Visit [kriegerproducts.com/contact/](https://www.kriegerproducts.com/contact/) for more information.



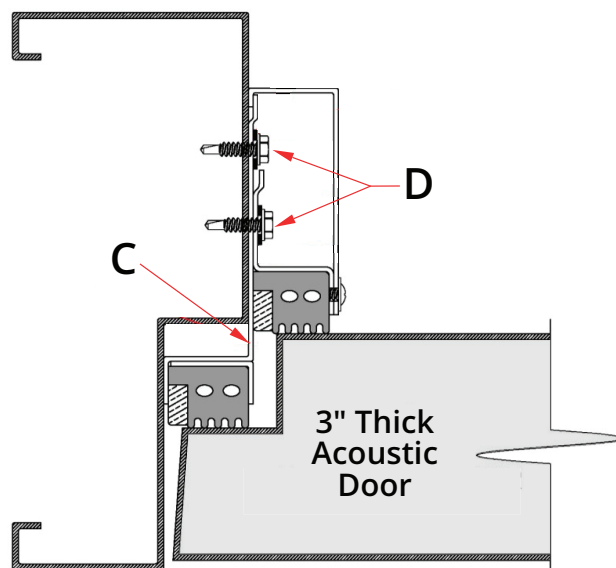
Made in the USA

All Krieger products are proudly designed and manufactured in the United States.

Seal Adjustment Instructions

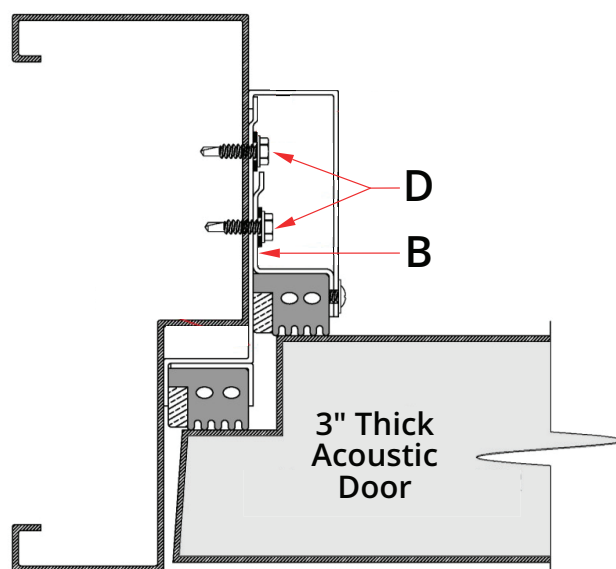
STEP 1

- Begin by installing the heads inner retainer (C) using #10 x 3/4" hex-drive Tek screws (D).
- Measure the jamb height from the bottom of the frame head to the top of the threshold.
- Locate the jamb retainers and cut the bottom ends of the retainers to fit the frame measurements.



STEP 2

- Continue by installing the heads outer retainer (B) using #10 x 3/4" hex-drive Tek screws (D).
- Repeat the previous process for measuring the jamb height and cutting the bottom ends of the outer retainers as needed.



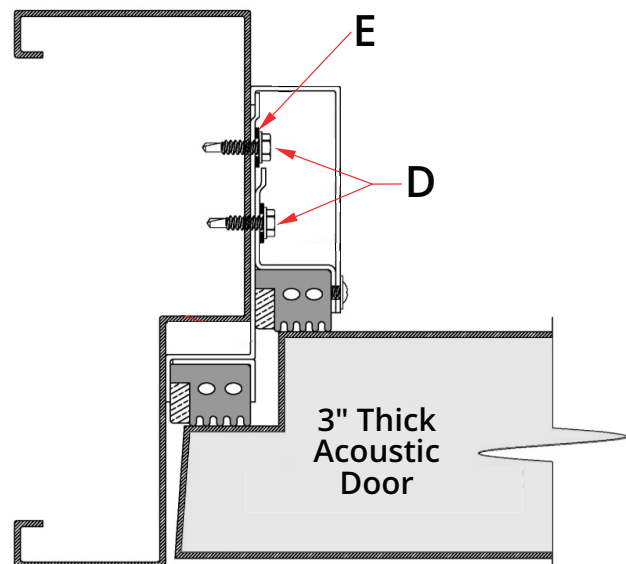
Rev. 010524

STEP 3

- Locate the shorter neoprene seals (head pieces). With felt sides facing outward towards frame use a razor blade carefully cut the neoprene seals at a 45° angle on both ends angling inward to the inner retainer width measurement.
- Cut a 45° miter on one end of the other two longer neoprene seals (jamb pieces).
- Super glue the three pieces together at the miter joints.
- Install into the inner jamb seal retainers starting with the head and moving down each jamb without stretching or pulling the seals.
- Cut excess at the bottom of each jamb seal retainer.
- Repeat this process for installing the seals into the outer retainer.

STEP 4

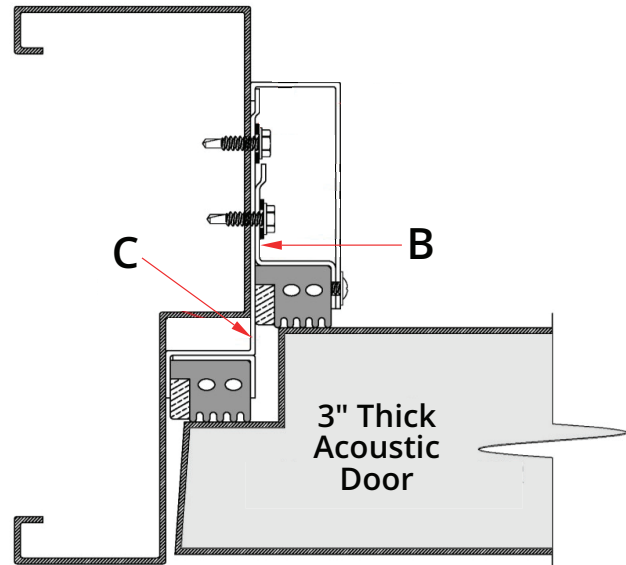
- Loosen the inner and outer retainer screws (D) from the slotted holes (E). Slide the inner retainer forward until you feel the seal make positive contact with the door while it is in a latched position.
- Work your way around the door pressing the seal against the door while tightening each lower retainer screw.
- Be sure to check that the seal is not pressed too tightly against the door as this may cause latching issues.



Rev. 010524

STEP 5

- Once the inner retainer (C) is adjusted and fastened into place you can now adjust the outer retainer (B). Slide the outer retainer forward until the seal makes positive contact with the door.
- Work your way around the door pressing the seal against the door while tightening each outer retainer screw.



STEP 6

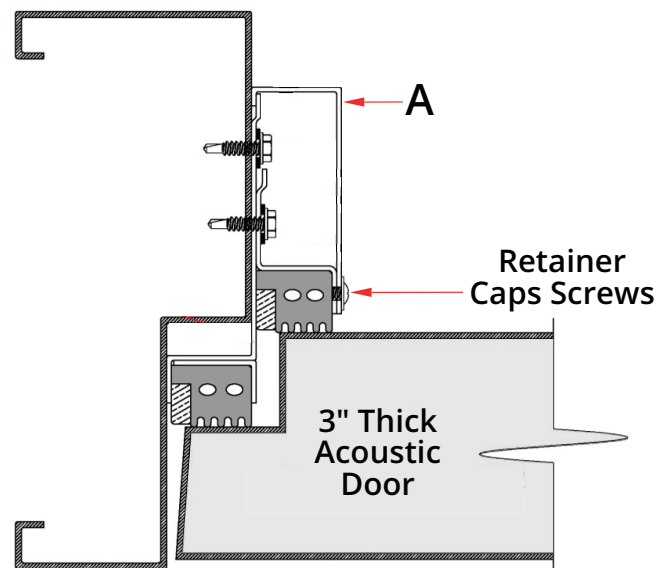
- Check the gap between the door and the seal with the plastic card provided. A hard-paper business card would be an OK substitute if the card has been misplaced. The card should fit snug and stay in place under its own weight.
- If there is a gap in a section of the seal then loosen the upper retainer screw closest to adjust it.
- With a wood block and hammer you can tap the section of the seal tight where it does not make contact. Then re-tighten the screw. The card should fit snug along the entire perimeter of the door.

STEP 7

- Check the door seal by firmly closing the door several times and rechecking for positive contact around perimeter of the door.
- Finally, check for any light leaks between the frame and retainer or at the mitered corners. Adjust accordingly.

STEP 8

- After the retainers have been fitted and the neoprene seals are making good contact with the perimeter of the door, the caps (A) can be installed by using #8 x ½" Phillips head round K-Lath Tek fasteners (retainer cap screws).



End Instructions